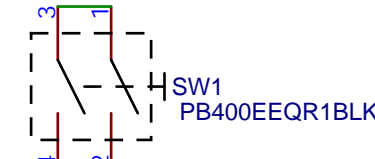
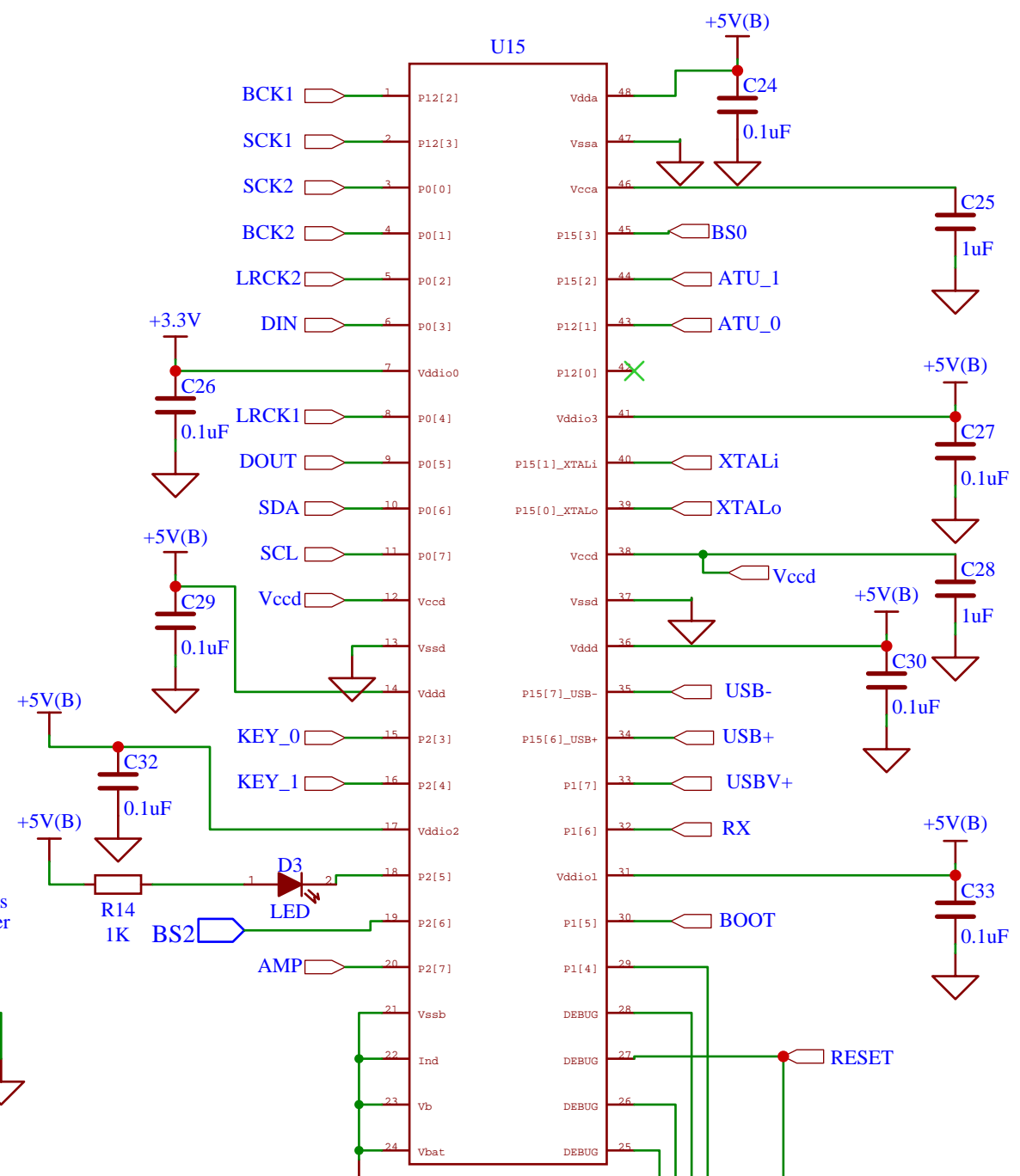
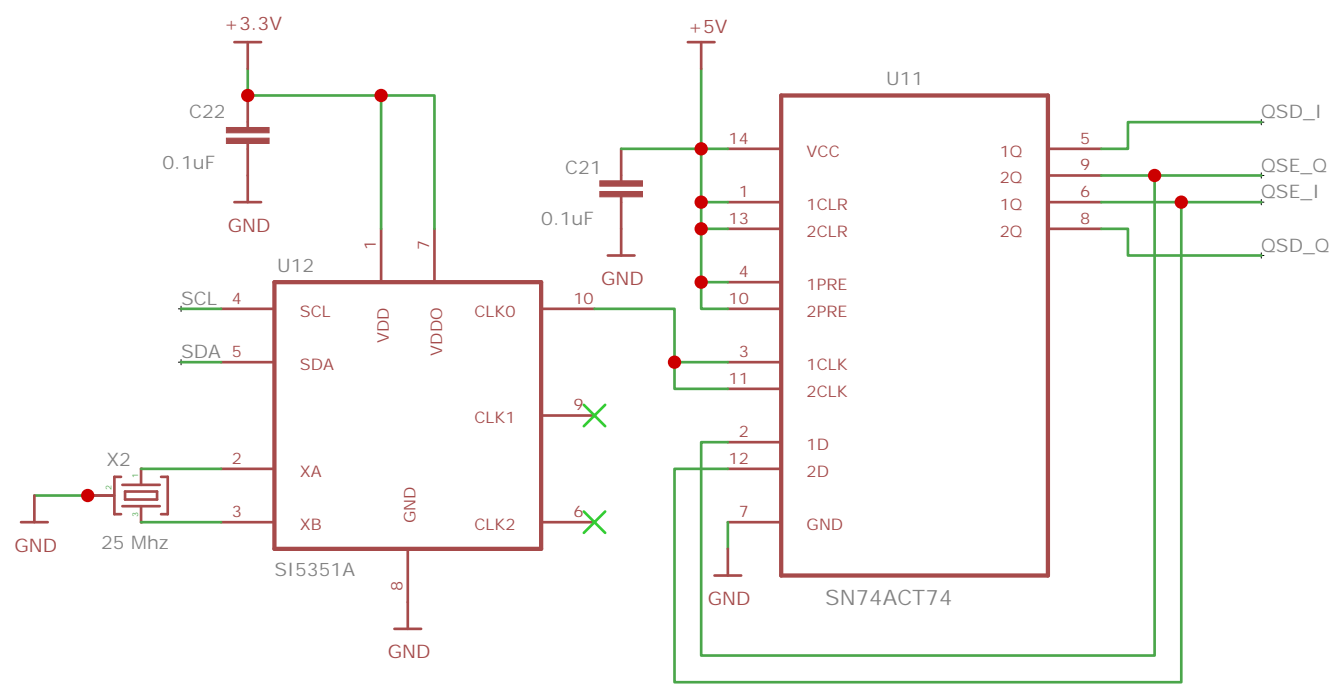


PWR Switch option on front panel
Connect to H1 with wires

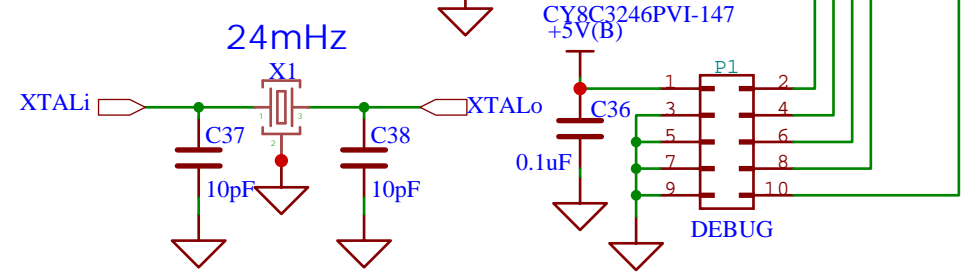
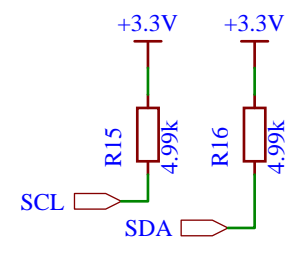


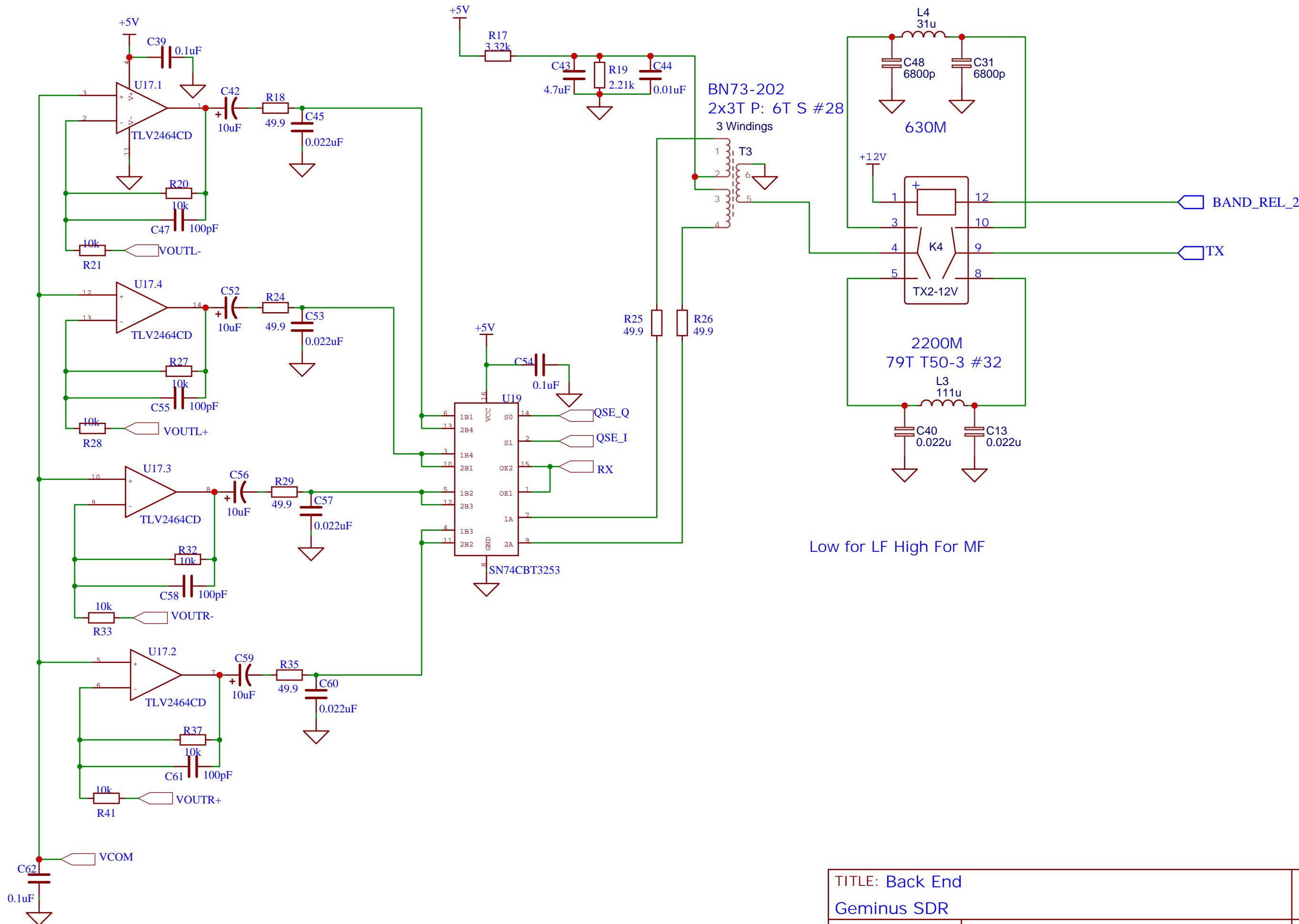
Remove jumper to disconnect
USB cable shield from
the electrical ground.

TITLE: Front End Geminus SDR		REV: 1.0
	Company: Multus SDR,LLC	Sheet: 1/5
	Date: 2021-10-07	Drawn By: N8VET



BOOT jumper on 1-2 enables USB bootloader. Park Jumper on 2-3 for normal operation.





Low for LF High For MF

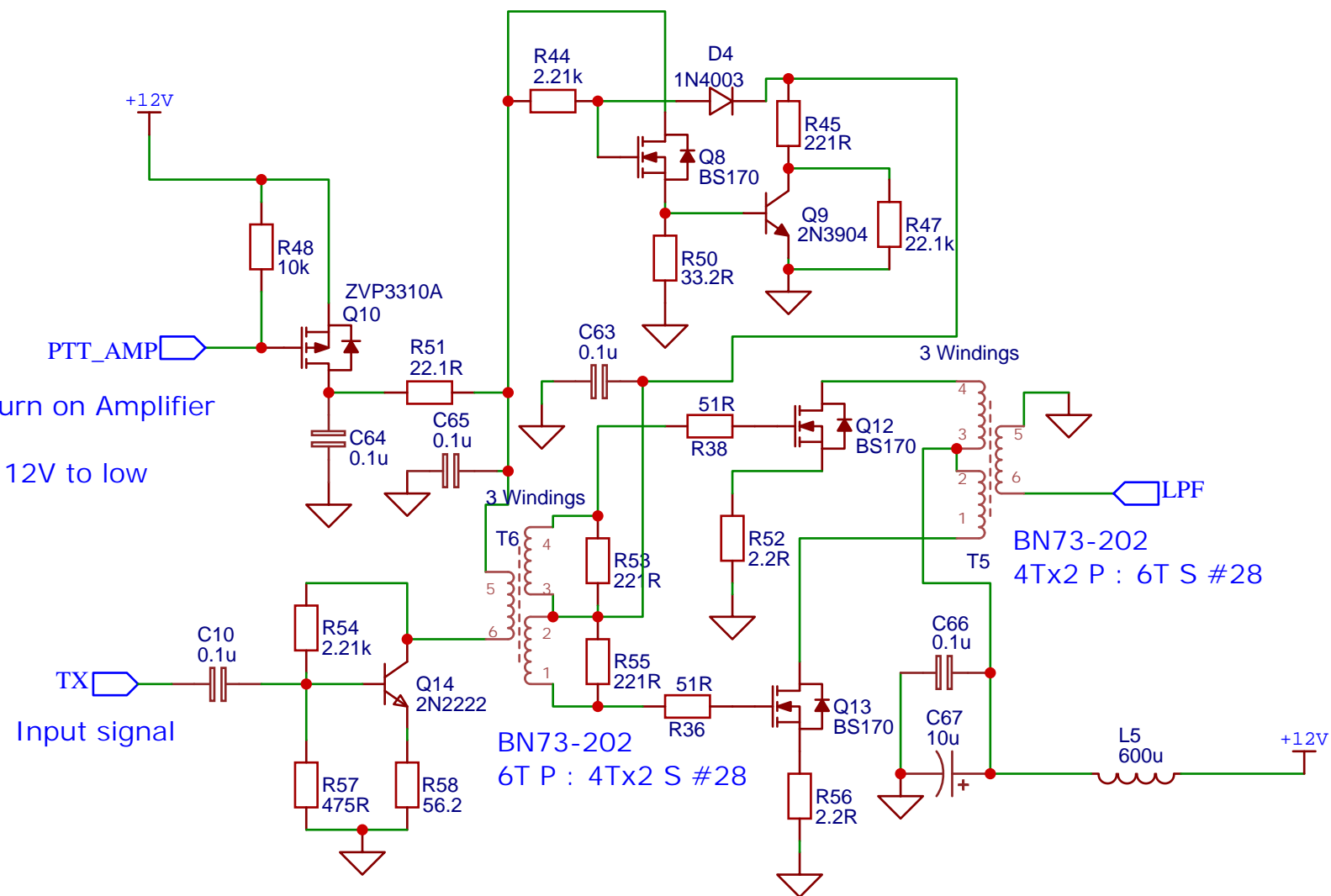
TITLE: Back End Geminus SDR		REV: 1.0
	Company: Multus SDR, LLC	Sheet: 3/5
	Date: 2021-10-07	Drawn By: N8VET

PTT Signal to activate Amp Circuit

Turn on Amplifier

12V to low

Input signal



TITLE: Amplifier and Driver
Geminus SDR

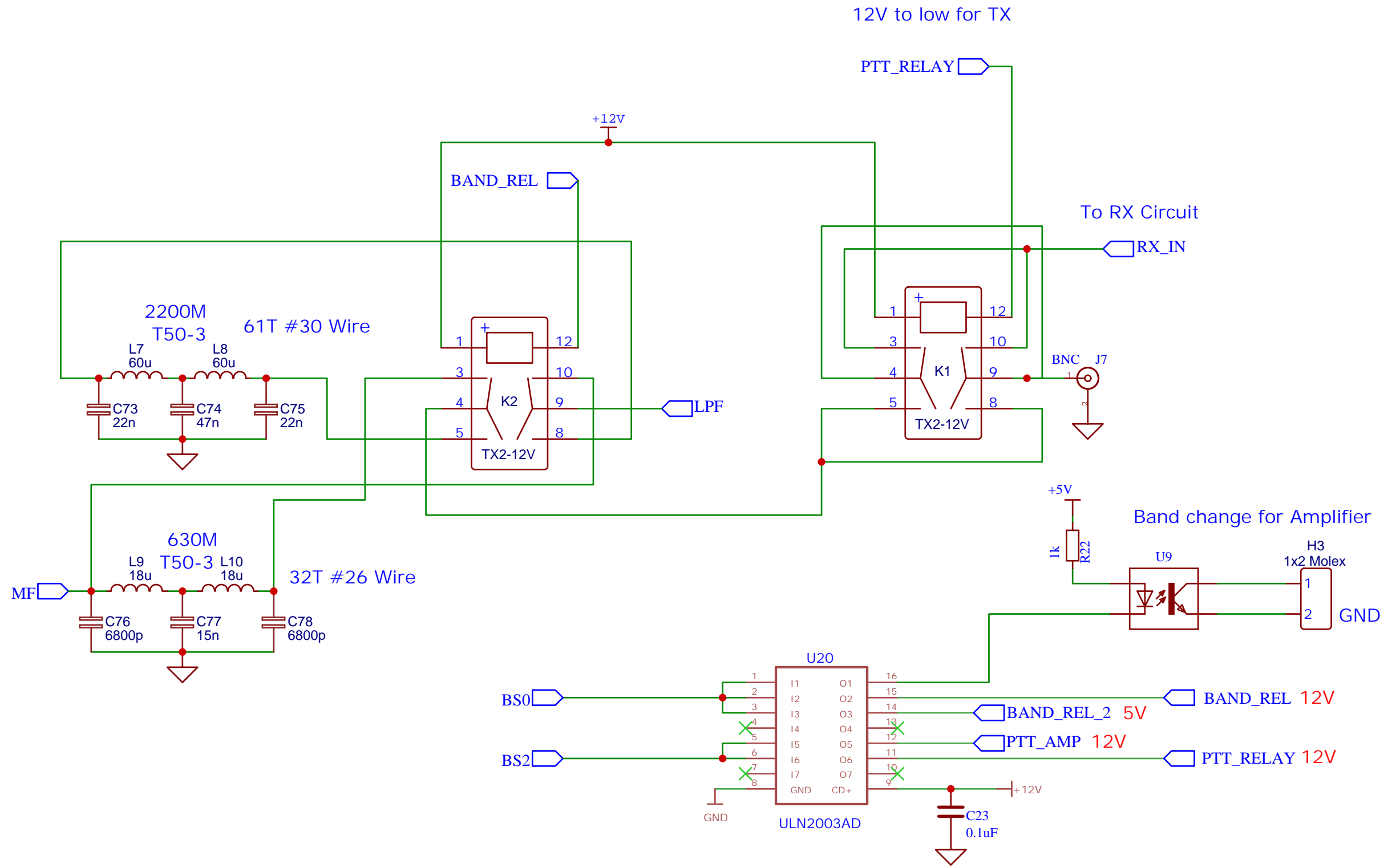
REV: 1.0



Company: Multus SDR, LLC

Sheet: 4/5

Date: 2021-10-07 Drawn By: N8VET



TITLE: LPF and Switching		REV: 1.0
Geminus SDR		Sheet: 1/1
	Company: Multus SDR, LLC	
	Date: 2021-10-07	Drawn By: N8VET